

BALDOR® • RELIANCE 

Product Information Packet

VJPFPM2550T

100//75HP,3530//2940RPM,3PH,60//50HZ,365

Part Detail							
Revision:	C	Status:	PRD/A	Change #:		Proprietary:	No
Type:	AC	Elec. Spec:	42WGW975	CD Diagram:	CD0104	Mfg Plant:	
Mech. Spec:	42E361	Layout:	42LYE361	Poles:	02	Created Date:	03-20-2017
Base:	N	Eff. Date:	11-07-2019	Leads:	12#6		

Specs			
Catalog Number:	VJPFPM2550T	Front Shaft Indicator:	None
Enclosure:	OPSB	Heater Indicator:	No Heater
Frame:	365JP	Insulation Class:	F
Frame Material:	Steel	Inverter Code:	Not Inverter
Output @ Frequency:	100.000 HP @ 60 HZ	KVA Code:	F
	75.000 HP @ 50 HZ	Lifting Lugs:	Vertical Lifting Lugs
Synchronous Speed @ Frequency:	3000 RPM @ 50 HZ	Locked Bearing Indicator:	Locked Bearing
Voltage @ Frequency:	190.0 V @ 50 HZ	Motor Lead Quantity/Wire Size:	12 @ 6 AWG
	460.0 V @ 60 HZ	Motor Lead Exit:	Ko Box
	380.0 V @ 50 HZ	Motor Lead Termination:	Flying Leads
	230.0 V @ 60 HZ	Motor Type:	4260M
Agency Approvals:	UL	Mounting Arrangement:	F1
	CSA EEV	Power Factor:	89
Auxillary Box:	No Auxillary Box	Product Family:	Fire Pump Motor
Auxillary Box Lead Termination:	None	Pulley End Bearing Type:	Ball
Base Indicator:	No Mounting	Pulley Face Code:	C-Face
Bearing Grease Type:	Polyrex EM (-20F +300F)	Pulley Shaft Indicator:	Tapped & Key
Blower:	None	Rodent Screen:	Included

Current @ Voltage:	248.000 A @ 208.0 V	Shaft Extension Location:	Pulley End
	226.000 A @ 230.0 V	Shaft Ground Indicator:	No Shaft Grounding
	206.000 A @ 190.0 V	Shaft Rotation:	Reversible
	113.000 A @ 460.0 V	Shaft Slinger Indicator:	Shaft Slinger
	103.000 A @ 380.0 V	Speed Code:	Single Speed
Design Code:	B	Motor Standards:	NEMA
Drip Cover:	Drip Cover	Starting Method:	Wye Start - Delta Run
Duty Rating:	CONT	Thermal Device - Bearing:	None
Electrically Isolated Bearing:	Not Electrically Isolated	Thermal Device - Winding:	None
Feedback Device:	NO FEEDBACK	Vibration Sensor Indicator:	No Vibration Sensor
Front Face Code:	Standard	Winding Thermal 1:	None
		Winding Thermal 2:	None

Nameplate NP3454L											
CAT.NO.	VJPFPM2550T			CUST P/N				I.P.	23		
SPEC.	42E361W975H2			SER.NO.				FRAME	365JP		
HZ	60	HP	100	RPM	3530	HZ	50	HP	75	RPM	2940
VOLTS	230/460			CODE	F	VOLTS	190/380			CODE	G
AMPS	226/113			DES	B	AMPS	206/103			DES	B
EFF	93	SER.F.	1.15	PF	89	EFF	92.4	SER.F.	1.15	PF	89
RATING	40C AMB-CONT			DE BRG	6313			GREASE	POLYREX EM		
BLANK				ODE BRG	6311			MTR. WT.	553		
				CLASS	F			PH	3		
				ENCL	OPSB			CC	010A		
HTR-VOLTS		HTR-AMPS		HTR-WATTS							

Parts List		
Part Number	Description	Quantity
SA336199	SA 42E361W975H2	1.000 EA
RA324432	RA 42E361W975H2	1.000 EA
HA6360	LIFTING LUG FOR 42 FRAME MOTORS.	2.000 EA
HA6017	CAST ADAPTER, 40,42 KOBX	1.000 EA
19XW3118A12	.31-18 X .75 HEX WASHER HEAD TAPTITE II	2.000 EA
HW1001A31	LOCKWASHER 5/16, ZINC PLT.591 OD, .319 I	2.000 EA
12CB1002A48	CONDUIT BOX, W/3.62 DIA. LEAD HOLE	1.000 EA
19XW3118A16	.31-18 HEX WASHER HEAD TAPTITE II 1.00 L	4.000 EA
HW1001A31	LOCKWASHER 5/16, ZINC PLT.591 OD, .319 I	4.000 EA
WD1000B53	TERMINAL BURNDY KPA34	1.000 EA
10XN5013K10	1/2-13 X .625 HEX HD, GRADE 5	1.000 EA
HW1001A50	LOCKWASHER 1/2, ZINC PLT.,.879 OD, .509 I	1.000 EA
42EP3200A02	FR ENDPLATE, MACH	1.000 EA
HA1108A01	RODENT SCREEN	1.000 EA
51XW1032A06	10-32 X .38, TAPTITE II, HEX WSHR SLTD S	4.000 EA
HW5100A13	W4627-047 WVY WSHR	1.000 EA
42EP1400A03	PU ENDPLATE, MACH W/ RODENT SCREENS	1.000 EA
HA1165A02	RODENT SCREEN FOR 42 PU. C-FACE E.P.	1.000 EA
51XW1032A06	10-32 X .38, TAPTITE II, HEX WSHR SLTD S	1.000 EA
10XN3816K56	3/8-16 X 3 1/2 HEX HEAD MACHINE SCREW,	4.000 EA
HW1001A38	LOCKWASHER 3/8, ZINC PLT .688 OD, .382 I	4.000 EA
HA7204	"L" SHAPE LIFTING LUG FOR 42 FRAME MOTOR	2.000 EA
XY5013A12	NUT,1/2-13,HEX,STEEL,ZINCPLATED	8.000 EA
42FH2500A01	DRIP COVER MOD 42 OPEN	1.000 EA

Parts List (continued)		
Part Number	Description	Quantity
10XN2520K12	1/4-20 X.75 GRD 5	4.000 EA
HW1001A25	LOCKWASHER 1/4, ZINC PLT .493 OD, .255 I	4.000 EA
18CB1501A01	CONDUIT BOX LID, MODEL 318 OPEN	1.000 EA
10XN3118K16	5/16-18 X 1' GRADE #5, STL, ZINC PLATE	4.000 EA
HW1001A31	LOCKWASHER 5/16, ZINC PLT.591 OD, .319 I	4.000 EA
HW4600B82	V-RING SLINGER 2.500 X 2.900 X .28 VITON	1.000 EA
HW2501G18	SQUARE STEEL KEY .375 X 2.00 LONG	1.000 EA
LB1115N	LABEL,LIFTING DEVICE (ON ROLLS)	1.000 EA
LB1182	WARNING LABEL FOR MOTORS WITH EYENUTS	1.000 EA
HA4051A00	PLASTIC CAP FOR GREASE FITTING	1.000 EA
HW4500A03	GREASE FITTING, .125 NPT 1610(ALEMITE) 8	1.000 EA
HW4500A17	317400 ALEMITE GREASE RELIEF	1.000 EA
MJ1000A02	GREASE, MOBIL POLYREX EM - 124047	0.030 LB
HA4051A00	PLASTIC CAP FOR GREASE FITTING	1.000 EA
HW4500A03	GREASE FITTING, .125 NPT 1610(ALEMITE) 8	1.000 EA
HW4500A17	317400 ALEMITE GREASE RELIEF	1.000 EA
MG1025R44	WILKOFASST, 784.109, CARMINE RED #3002	0.050 GA
85XU0407S04	4X1/4 U DRIVE PIN STAINLESS	4.000 EA
HA3151A08	THRUBOLT STUD 1/2-13 X 21.000	4.000 EA
42AD2001B01	BAFFLE PLATE 42 OPEN, SLOTTED BAND MTRS	1.000 EA
42AD2001B01	BAFFLE PLATE 42 OPEN, SLOTTED BAND MTRS	1.000 EA
LB1119N	WARNING LABEL	1.000 EA
LC0104A01	CONNECTION DIAGRAM	1.000 EA
NP3454L	ALUM FIRE PUMP MOTOR(LEGACY/BALDOR ONLY)	1.000 EA

44PA1000	PK GP COMB PRINT 39-3/8X31X23-7/8	1.000 EA
MN416A01	TAG-INSTAL-MAINT no wire (1200/bx) 3/19	1.000 EA

AC Induction Motor Performance Data

Record # 52862 - Typical performance - not guaranteed values

Winding: 42WGW975-R001	Type: 4260M	Enclosure: OPSB
-------------------------------	--------------------	------------------------

Nameplate Data				460 V, 60 Hz: High Voltage Connection	
Rated Output (HP)	100//75			Full Load Torque	148 LB-FT
Volts	230/460//190/380			Start Configuration	direct on line
Full Load Amps	226/113//206/103			Breakdown Torque	508 LB-FT
R.P.M.	3530//2940			Pull-up Torque	202 LB-FT
Hz	60//50	Phase	3	Locked-rotor Torque	246 LB-FT
NEMA Design Code	B	KVA Code	F	Starting Current	690 A
Service Factor (S.F.)	1.15			No-load Current	26.8 A
NEMA Nom. Eff.	93	Power Factor	89	Line-line Res. @ 25°C	0.0651 Ω
Rating - Duty	40C AMB-CONT			Temp. Rise @ Rated Load	57°C
S.F. Amps				Temp. Rise @ S.F. Load	69°C
				Locked-rotor Power Factor	21.2
				Rotor inertia	4.69 LB-FT ²

Load Characteristics 460 V, 60 Hz, 100 HP

% of Rated Load	25	50	75	100	125	150	S.F.
Power Factor	66	83	87	89	88	87	88
Efficiency	91.8	94	93.8	93.1	92	90.5	92.4
Speed	3587	3572	3555	3536	3515	3491	3523
Line amperes	38.9	60.5	86	113	143	175	131

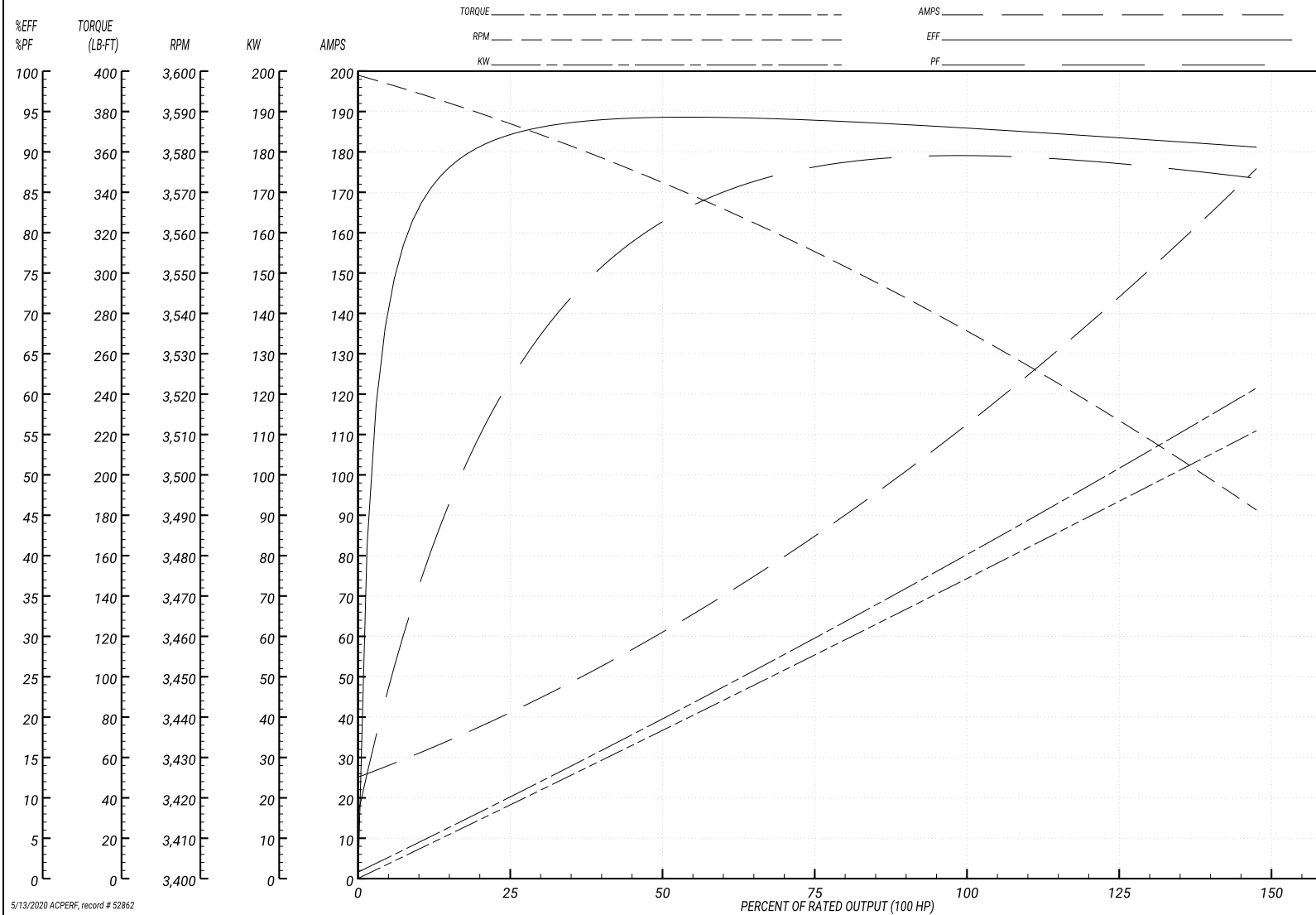
Performance Graph at 460V, 60Hz, 100.0HP Typical performance - Not guaranteed values

ABB Motors and Mechanical Inc.

WINDING # 42WGW975

Typical performance - not guaranteed values.

100 HP 3 PH 60 HZ 3536 RPM 460 V 4260M
 TORQUES(LB-FT): PO=508 PU=202 LR=246 LRA=690



5/13/2020 ACPERF, record # 52862

AC Induction Motor Performance Data

Record # 52863 - Typical performance - not guaranteed values

Winding: 42WGW975-R001	Type: 4260M	Enclosure: OPSB
-------------------------------	--------------------	------------------------

Nameplate Data				380 V, 50 Hz: High Voltage Connection	
Rated Output (HP)	100//75			Full Load Torque	133 LB-FT
Volts	230/460//190/380			Start Configuration	direct on line
Full Load Amps	226/113//206/103			Breakdown Torque	492 LB-FT
R.P.M.	3530//2940			Pull-up Torque	214 LB-FT
Hz	60//50	Phase	3	Locked-rotor Torque	261 LB-FT
NEMA Design Code	B	KVA Code	F	Starting Current	676 A
Service Factor (S.F.)	1.15			No-load Current	26.3 A
NEMA Nom. Eff.	93	Power Factor	89	Line-line Res. @ 25°C	0.0651 Ω
Rating - Duty	40C AMB-CONT			Temp. Rise @ Rated Load	49°C
S.F. Amps				Temp. Rise @ S.F. Load	60°C
				Locked-rotor Power Factor	23.9
				Rotor inertia	4.69 LB-FT ²

Load Characteristics 380 V, 50 Hz, 75 HP

% of Rated Load	25	50	75	100	125	150	S.F.
Power Factor	64	82	87	89	88	88	88
Efficiency	91.9	94	93.8	92.7	91.9	90.1	92.2
Speed	2988	2975	2960	2943	2925	2904	2932
Line amperes	36.6	55.7	78.6	103	130	158	119

Performance Graph at 380V, 50Hz, 75.0HP Typical performance - Not guaranteed values

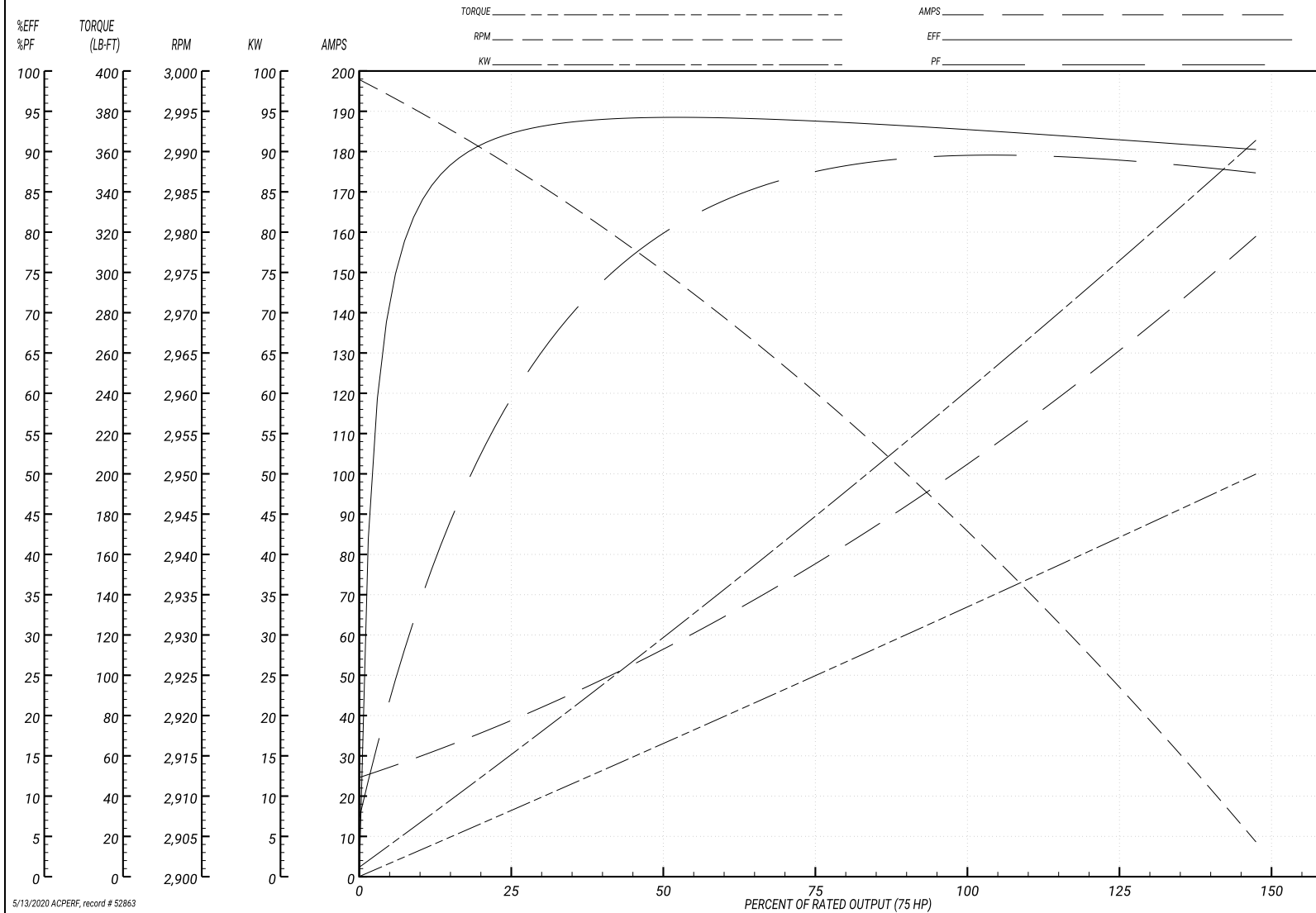
ABB Motors and Mechanical Inc.

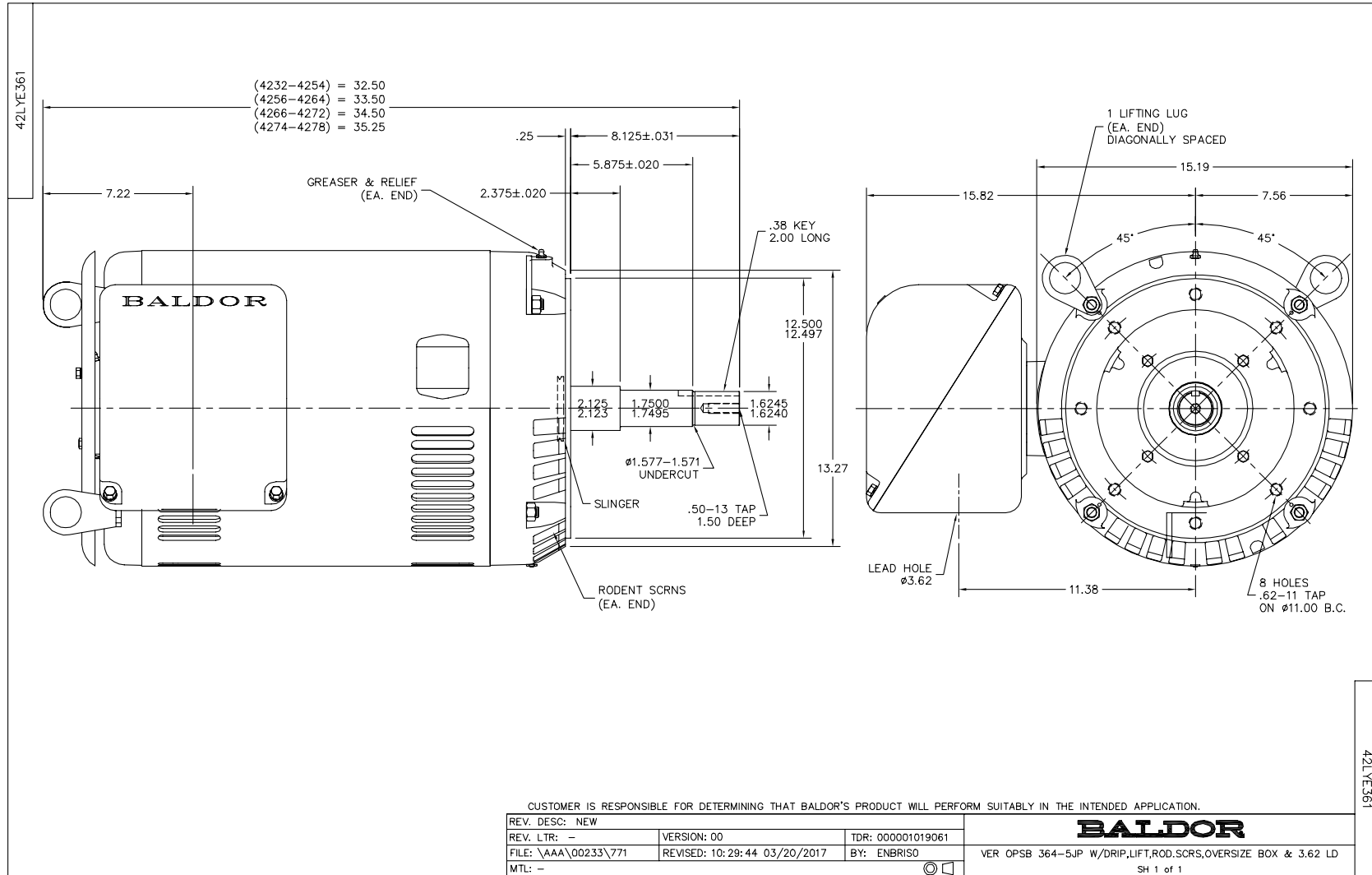
WINDING # 42WGW975

Typical performance - not guaranteed values.

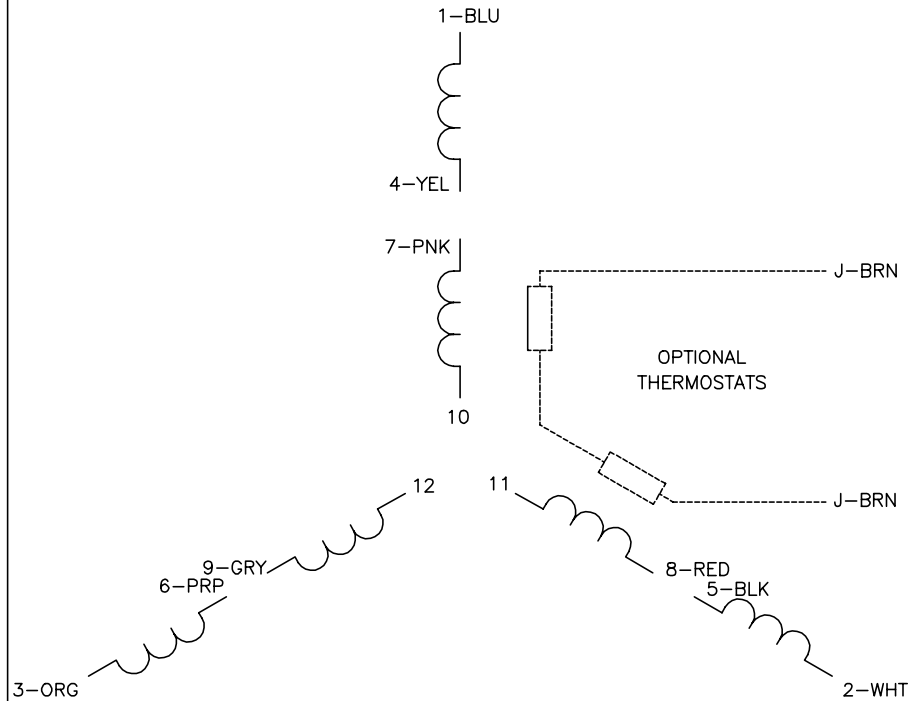
75 HP 3 PH 50 HZ 2943 RPM 380 V 4260M

TORQUES(LB-FT): PO=492 PU=214 LR=261 LRA=676

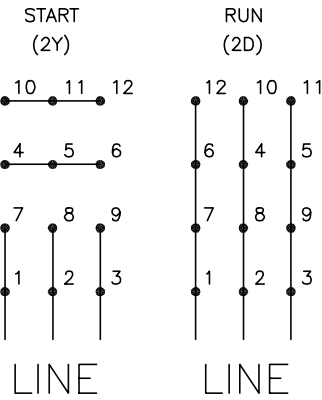




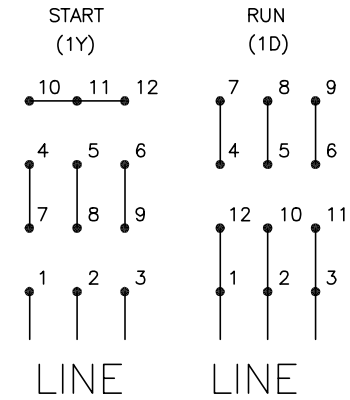
CD0104



LOW VOLTAGE



HIGH VOLTAGE



NOTES:

1. INTERCHANGE ANY TWO LINE LEADS TO REVERSE ROTATION.
2. OPTIONAL THERMOSTATS ARE PROVIDED WHEN SPECIFIED.
3. ACTUAL NUMBER OF INTERNAL PARALLEL CIRCUITS MAY BE A MULTIPLE OF THOSE SHOWN ABOVE.
4. LEAD COLORS ARE OPTIONAL. LEADS MUST ALWAYS BE NUMBERED AS SHOWN.

CD0104

REV. DESC: ADD CLASS CONN00000007		
REV. LTR: D	VERSION: 01	TDR: 000001099922
FILE: \AAA\00008\377	REVISED: 09:02:55 02/19/2019	BY: ENBRIRO
MTL: -	© □	

BALDOR - RELIANCE®

3PH, DV, 12 LEADS, Y START/D RUN

SH 1 of 1

Marketing maintained PDF of MN416:

<http://www.baldor.com/support/Literature/Load.ashx/MN416?ManNumber=MN416>